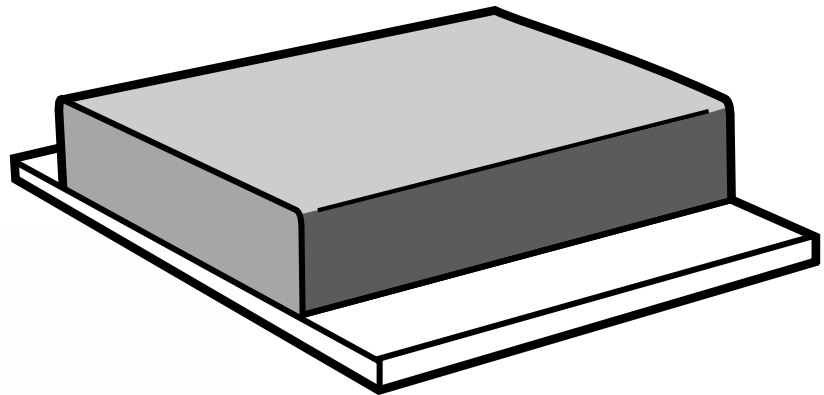
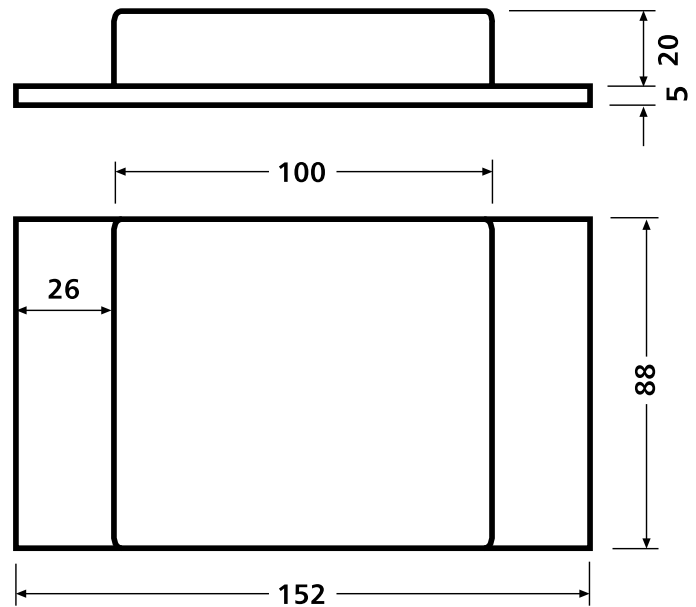


TIPPER PAD*Part Number:* **TP/ALLOY**

Weight: 410g

Part Number: **TP/STEEL**

Weight: 750g

**MATERIAL: NATURAL/SBR RUBBER COMPOUND AND STEEL/ALUMINIUM**

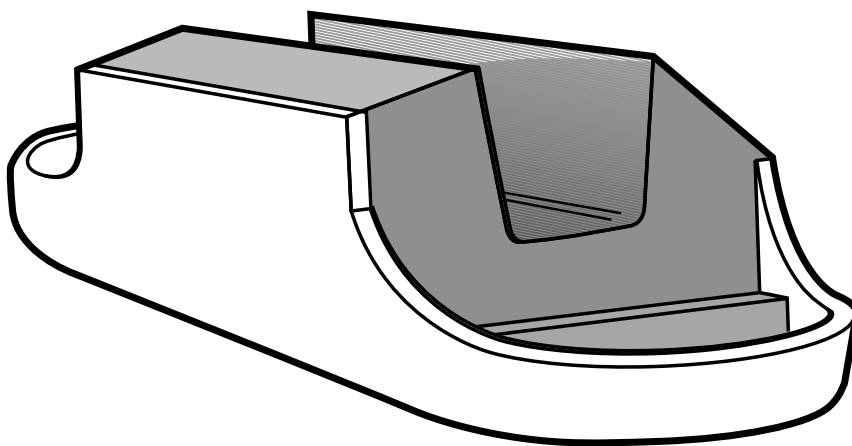
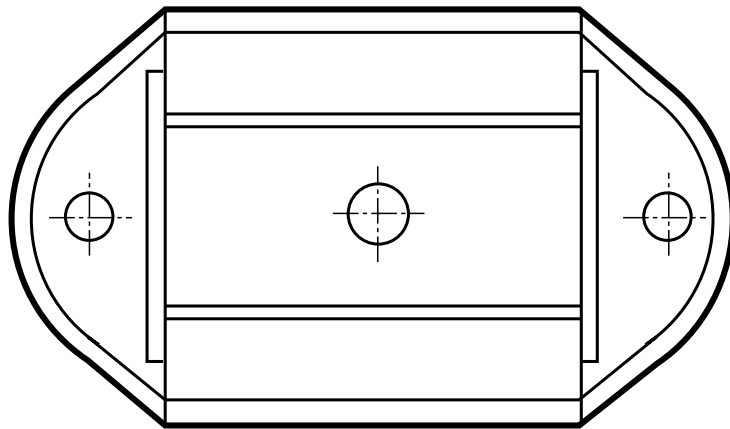
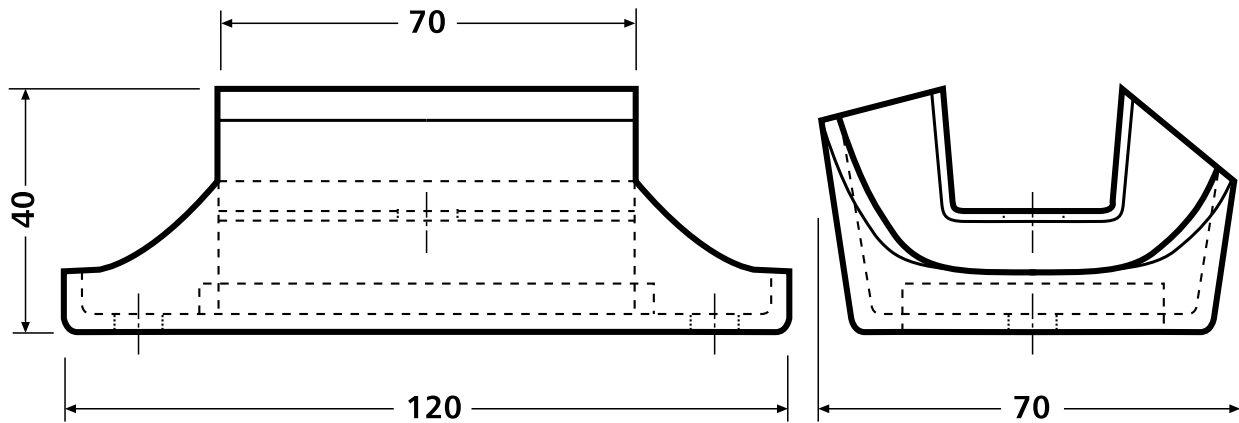
All Dimensions are in MILLIMETRES

Dimensions can vary they are TYPICAL ONLY

Issue 8/97 - July 2006

Part Number: **GEARBOX MOUNT**

Weight: 0.336Kg



MATERIAL: NATURAL/SBR RUBBER COMPOUND AND STEEL

All Dimensions are in MILLIMETRES
Dimensions can vary they are TYPICAL ONLY

Issue 8/98 - July 2006